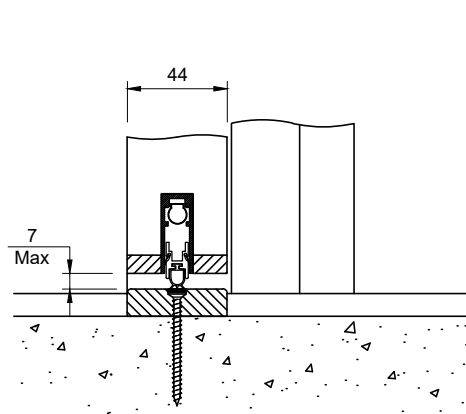


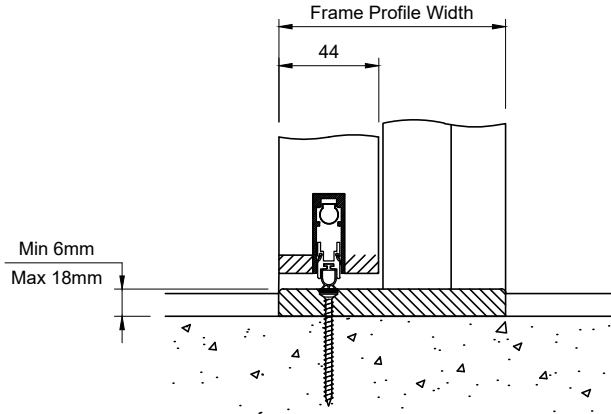
FD30 Notes:

- Hardwood Timber Thresholds Are To Be Fixed As Per CF5228
- Material: Hardwood Minimum Density 640kg/m³
- Minimum Threshold Thickness: 6mm
- Maximum Threshold Thickness: 18mm
- Minimum Threshold Width: Door Thickness
- Maximum Threshold Width: Equal or Greater Than Frame Profile Width
- Thresholds Fitted Between Frame Jambes

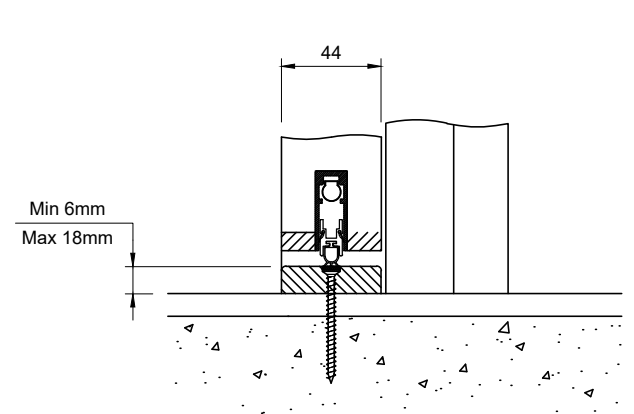
FD30



Threshold At 44mm Wide Fixed Directly To Floor Substrate - Floor Finishes Butted To Threshold

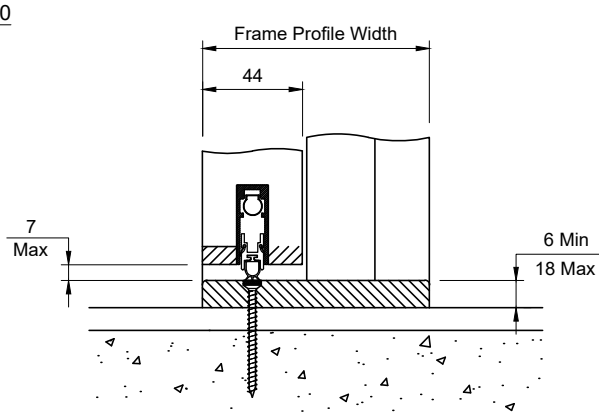


Threshold At Frame Width Wide Fixed Directly To Floor Substrate - Floor Finishes Butted To Threshold

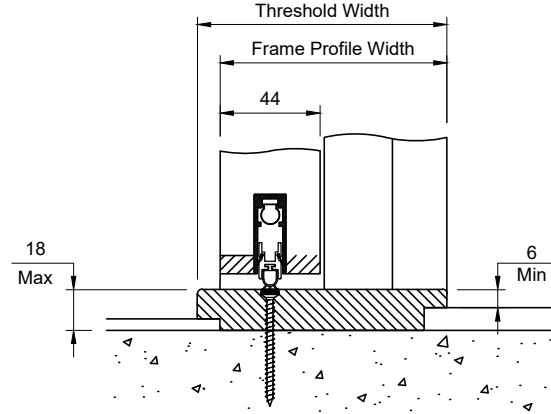


Threshold At 44mm Wide On Top Of Floor Finish & Fixed Through To Floor Substrate

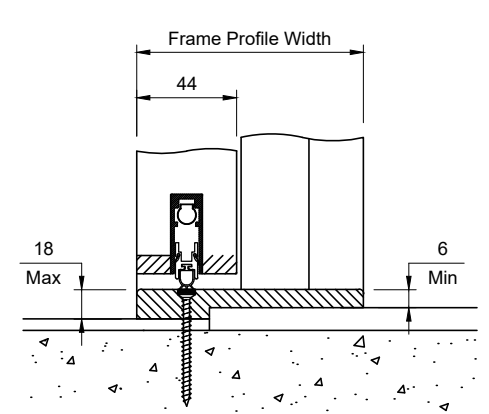
FD30



Threshold At Frame Width Wide On Top Of Floor Finish & Fixed Through To Floor Substrate



Threshold Rebated For Uneven Thickness Floor Finishes & Fixed Directly To Floor Substrate

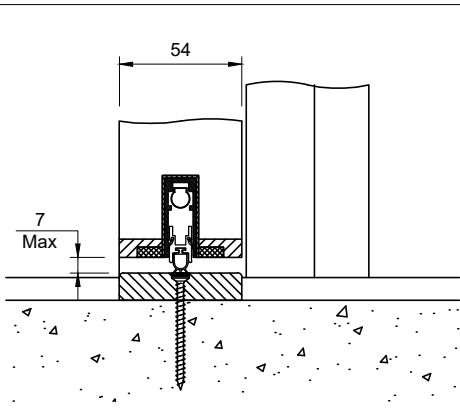


Threshold At Frame Width Wide On Top Of Uneven Thickness Floor Finishes & Fixed Through To Floor Substrate

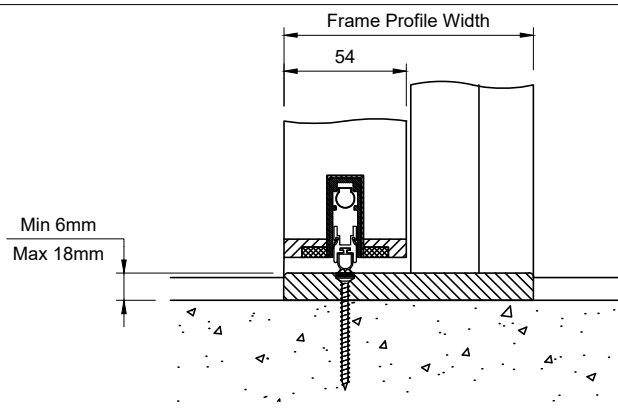
FD60 Notes:

- Hardwood Timber Thresholds Are To Be Fixed As Per CF5229
- Material: Hardwood (Excluding Beech) Minimum Density 640kg/m³
- Minimum Threshold Thickness: 6mm
- Maximum Threshold Thickness: 18mm
- Minimum Threshold Width: Door Thickness
- Maximum Threshold Width: Equal or Greater Than Frame Profile Width
- Thresholds Fitted Between Frame Jambes

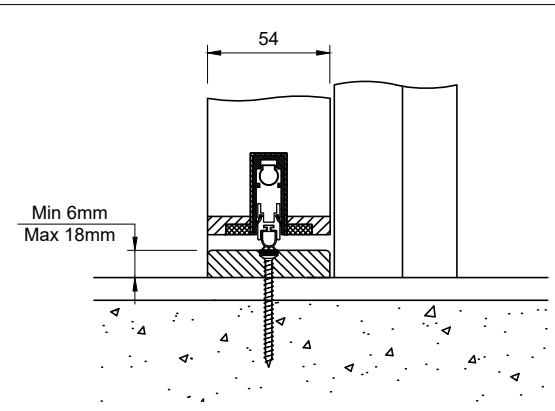
FD60



Threshold At 54mm Wide On Top Of Floor Finish & Fixed Through To Floor Substrate

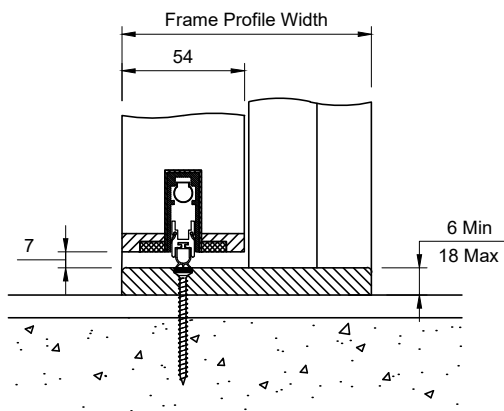


Threshold At Frame Width Wide Fixed Directly To Floor Substrate - Floor Finishes Butted To Threshold

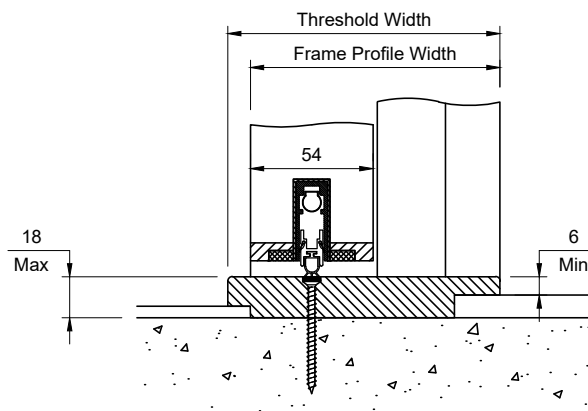


Threshold At 54mm Wide On Top Of Floor Finish & Fixed Through To Floor Substrate

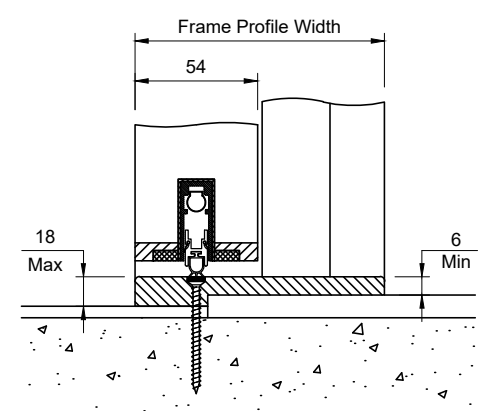
FD60



Threshold At Frame Width Wide On Top Of Floor Finish & Fixed Through To Floor Substrate



Threshold Rebated For Uneven Thickness Floor Finishes & Fixed Directly To Floor Substrate




Threshold At Frame Width Wide On Top Of Uneven Thickness Floor Finishes & Fixed Through To Floor Substrate

Do Not Scale.

If In Doubt Ask!

Description: **Timber Threshold Options - FD30 & FD60**

Drawn By: P. Brash	Approved: Approved	Revision:	Cert / FoA Ref: CF5228 CF5229	Date: 15/04/2026 Fire Rating: FD30S / FD60S	Drawing No: DP24922 Rev 00	 Unit 6, Ranskill Court, Sheffield, S9 5FZ
---------------------------	---------------------------	-----------	--	--	---	--